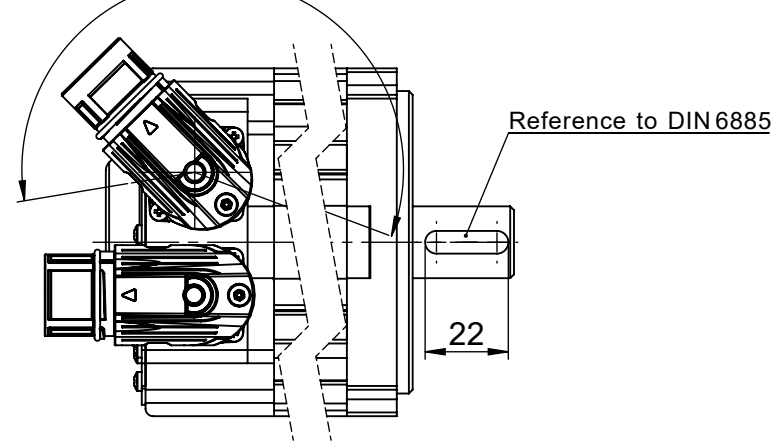


Connector Rotatable >210°

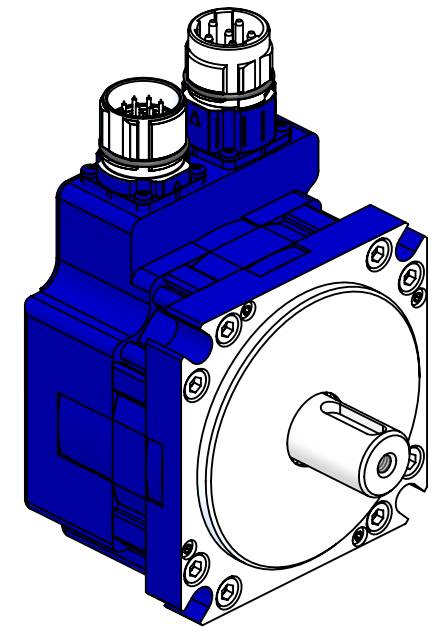
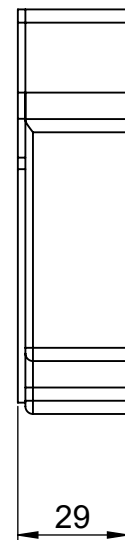
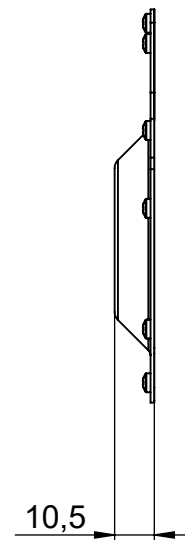
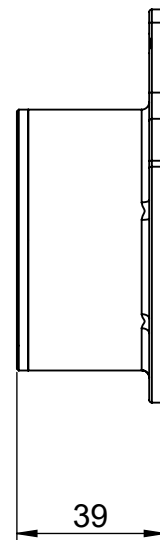


SICK SinCos Transducer
SRS/SRM50 (Hiperface)

Resolver And
Heidenhain
ECI118 (EnDat)

Heidenhain
ECI1319
EQI1331

Heidenhain
ECN1313 (EnDat)
ECN1325 (SIL)
ERN1385
EQN1325 (EnDat)
EQN1337 (SIL)



Other feedback-options available upon request.

HDD09					
Type	E	J	N	Q	S
L=	47,2	59,6	87,2	109,7	137,3
Incl. Brake L=	72,7	85,1	112,7	137,3	
Specifications can be changed without notice					



DRAWING:

HDD09 Mechanical Specifications

A3