

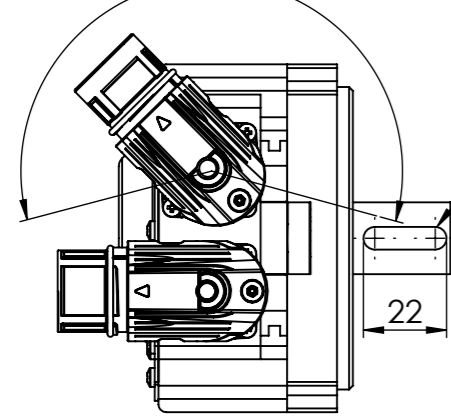
SICK SinCos Transducer
SRS/SRM50 (Hiperface)

Resolver And
Heidenhain
EBI1118 (EnDat)

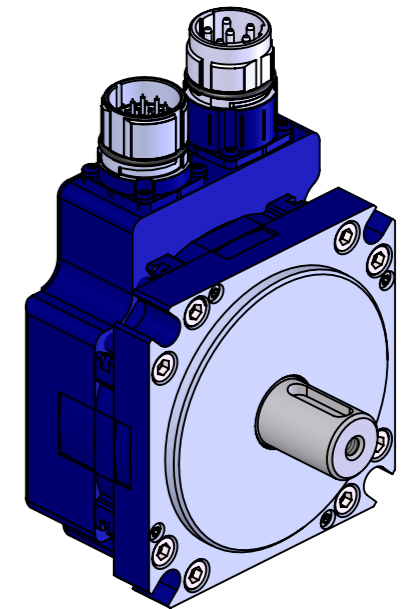
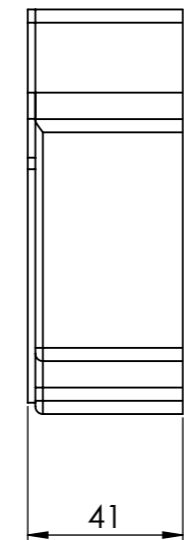
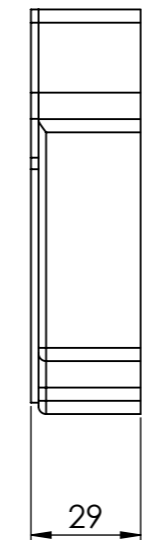
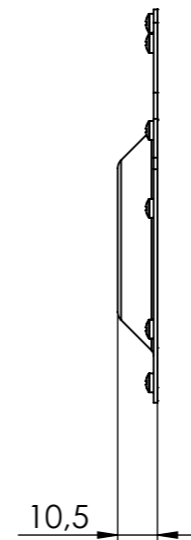
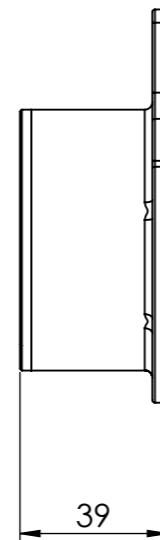
Heidenhain
ECI1319
EQI1331

Heidenhain
ECN1313 (EnDat)
ECN1325 (SIL)
ERN1385
EQN1325 (EnDat)
EQN1337 (SIL)

Connector Rotatable >210°



Reference to DIN 6885



Other feedback options are available upon request.

HDT09 (10-pole Motor)			
Type	E	J	N
L=	47,2	59,6	87,2
Incl. Brake L= (Preliminary)	87,1	99,5	127,1
Specifications can be changed without notice			



DRAWING:

HDT09 Mechanical Specifications

A3