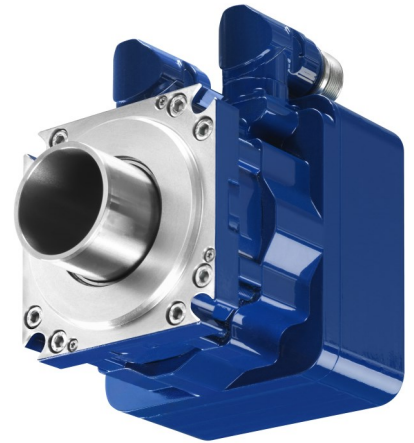


ULTRA COMPACT MOTORS

HDD
High Density Drives



HSM Hollow Shaft Motors

Compact

- Ultra Compact Design
- Integrated Feedback
- Hollow shaft up to 40mm
- Easy mounting

Reliable

- Maintenance free
- Robust construction
- High protection class
- Accurate positioning

Powerful

- High torque
- Low inertia
- High torsional stiffness
- Low weight



Industries

- Military
- Marine
- Robotics
- Manufacturing
- Automotive
- Construction

The **HSM Hollow Shaft Motors** have the same excellent power and torque density properties as the solid shaft motors, but with an up to **40mm diameter hollow shaft**. The hollow shaft allows for example axles, cables or laser beams to be passed through the motor.

The motors are available in **92 and 140 mm** frame sizes, in a torque range from **2.6Nm to 4.8Nm**, rated **3000rpm** and wound for **230 or 400VAC**.

All motors can be supplied with or without brake and is possible customize regarding pin-out, measuring thermistor, protection level, air pressurized etc. Other customization like special flange, shaft length, windings, ball screws etc. can be made on request.

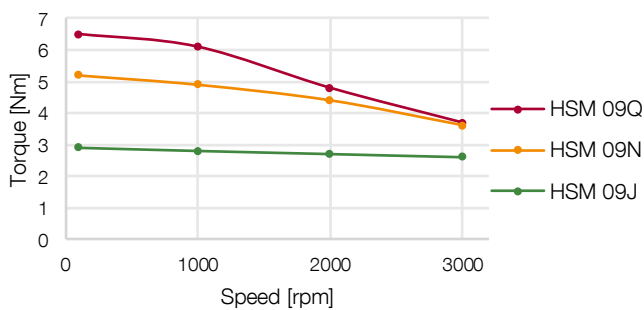
Please see <http://www.hdd.se> for more details and other motor models.

Technical data

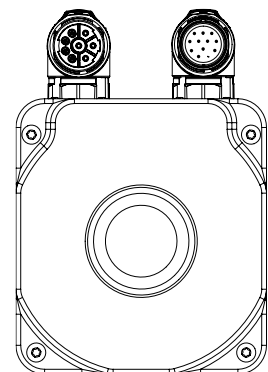
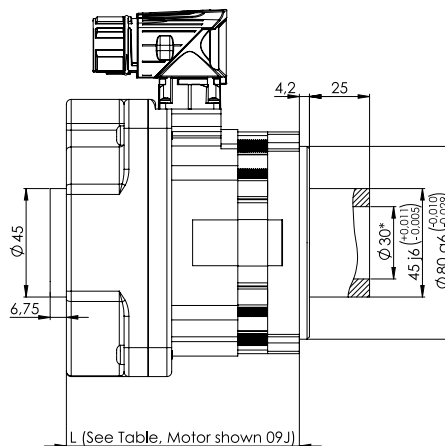
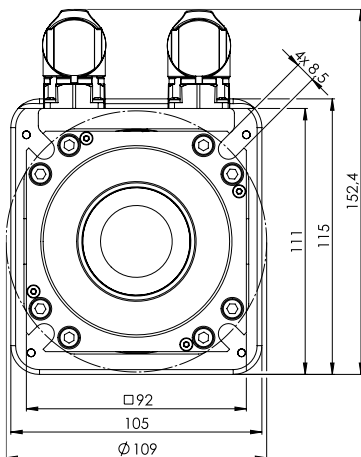
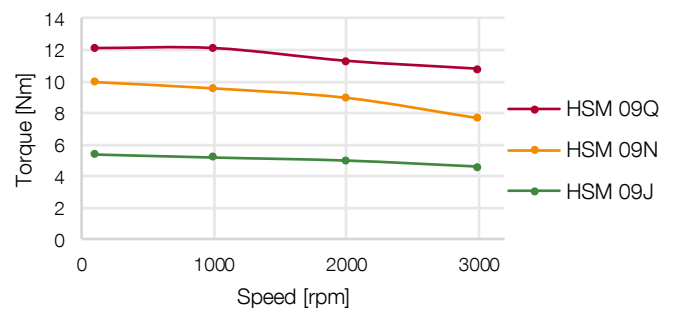
	Rated speed [rpm]	Low speed torque [Nm]	Rated torque [Nm]	Peak torque [Nm]	Rated current [A]	Length (L)* [mm]	Flange [mm]	Mass** [kg]	Inertia [kgcm ²]
HSM 09J	3000	2.9	2.6	7.3	2.4	100.2	92	3.3	5.1
HSM 09N	3000	5.2	3.6	16.6	3.8	127.9	92	3.8	7.8
HSM 09Q	3000	6.5	4.8	25	3.8	150.3	92	4.6	10.0

* Without transducer and brake, ** With feedback system

100% Duty Cycle



25% Duty Cycle



Specifications can be changed without notice. Reservation for printing error.